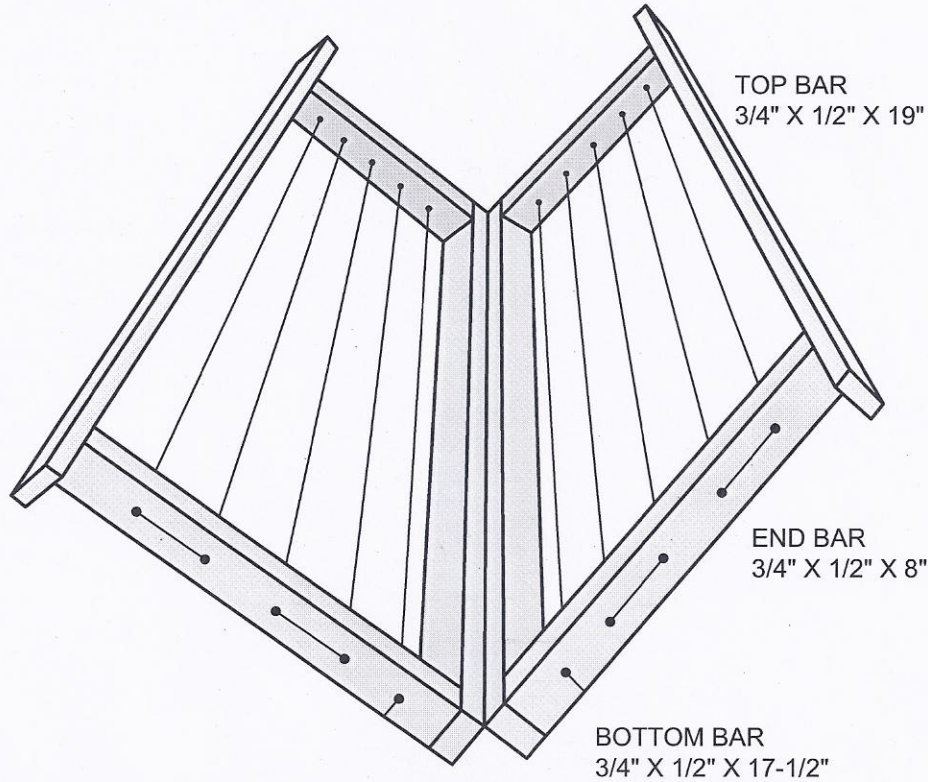


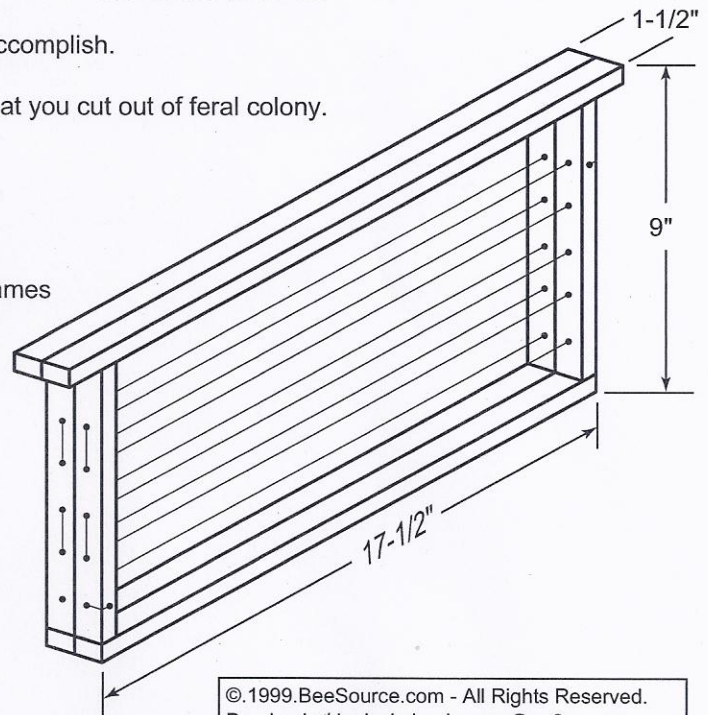
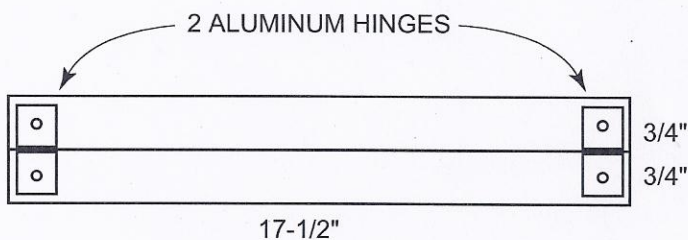
Removeable Swarm Catching Frames

Frames can be made from old supers. Cut wood strips of 1X pine into 1-1/2" strips. Once you place recovered feral honybee combs in the removeable swarm catching frames, simply take a few frame nails and nail hinged frame together thus making permanebt the combs placed therein. Simply place in super, reconstructing brood nest to allow bees to settle down.



Making a removeable swarm catching frame is quite easy to accomplish.

1. Each half frame is 3/4" wide by 1/2" thick.
2. You can drill 4 to 5 holes to lace frame wire to hold comb that you cut out of feral colony.
3. Mount honey filled comb pieces together in a frame.
4. Mount pollen filled comb pieces together also.
5. Mount brood layed-up pieces together in frames.
6. Place brood frames together in center of super.
7. Place pollen frames on each side of brood frames.
8. Place honey filled frames on outside of pollen and brood frames to complete makeup of supered colony.
9. Remove to calm place for bees to settle down.



©.1999.BeeSource.com - All Rights Reserved.
Dee Lusby/deelusbybeekeeper@up2me.com
info@beesource.com/www.beesource.com
Reproduction for personal and non-profit use only.